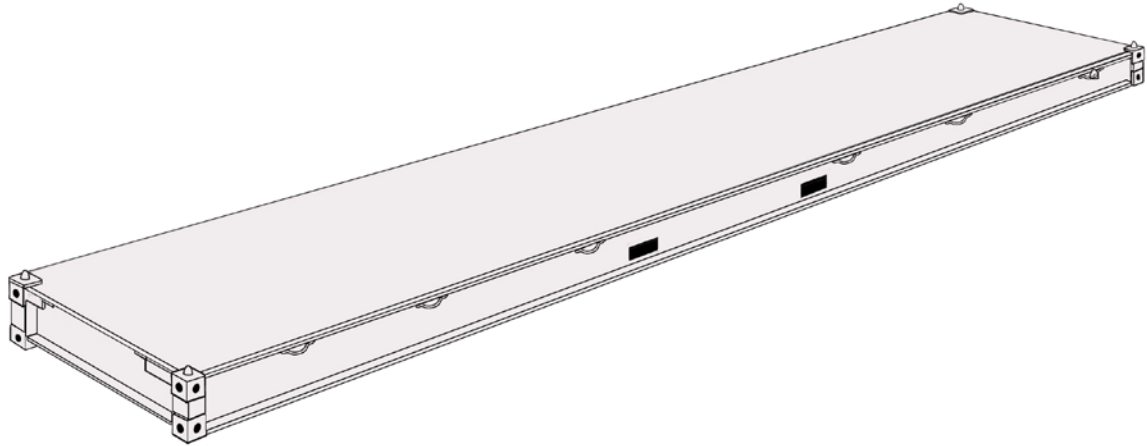


Type of container

40' Platform



Details

- mainly used to carry goods which, because of their dimensions or weight, cannot be carried in a closed container
- suitable for extremely heavy-duty
- cargo is secured via different lashing bars on the outside profile of the bottom side rail

Outside dimensions

length	mm	12192
	ft	40'
width	mm	2438
	ft	8' 6"
height	mm	648
	ft	2' 1 1/2"

Roof opening

width	mm	./.
	ft	./.
height	mm	./.
	ft	./.

Inside dimensions

length	mm	./.
	ft	./.
width	mm	./.
	ft	./.
height	mm	./.
	ft	./.
capacity	cbm	./.
	cbft	./.

Weights

Tare	kg	5700
	pd	12570
Max. payload	kg	39300
	pd	86640
Max. Gross	kg	45000
	pd	99210

Door opening

width	mm	./.
	ft	./.
height	mm	./.
	ft	./.
width side door	mm	./.
	ft	./.
height side door	mm	./.
	ft	./.

Certification

ISO size type	42P0
ISO size group	42PL